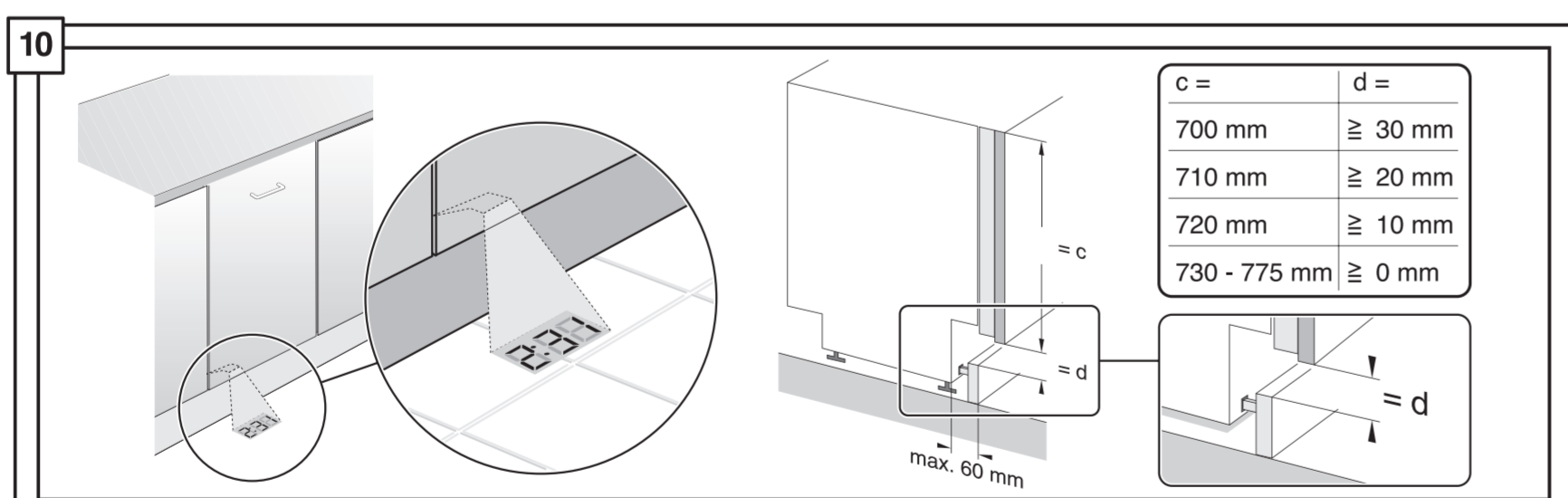
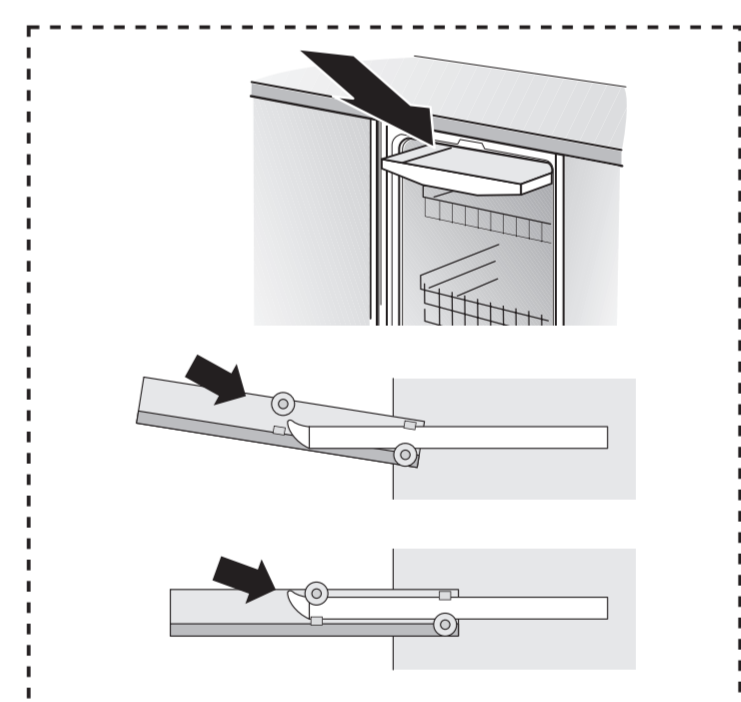
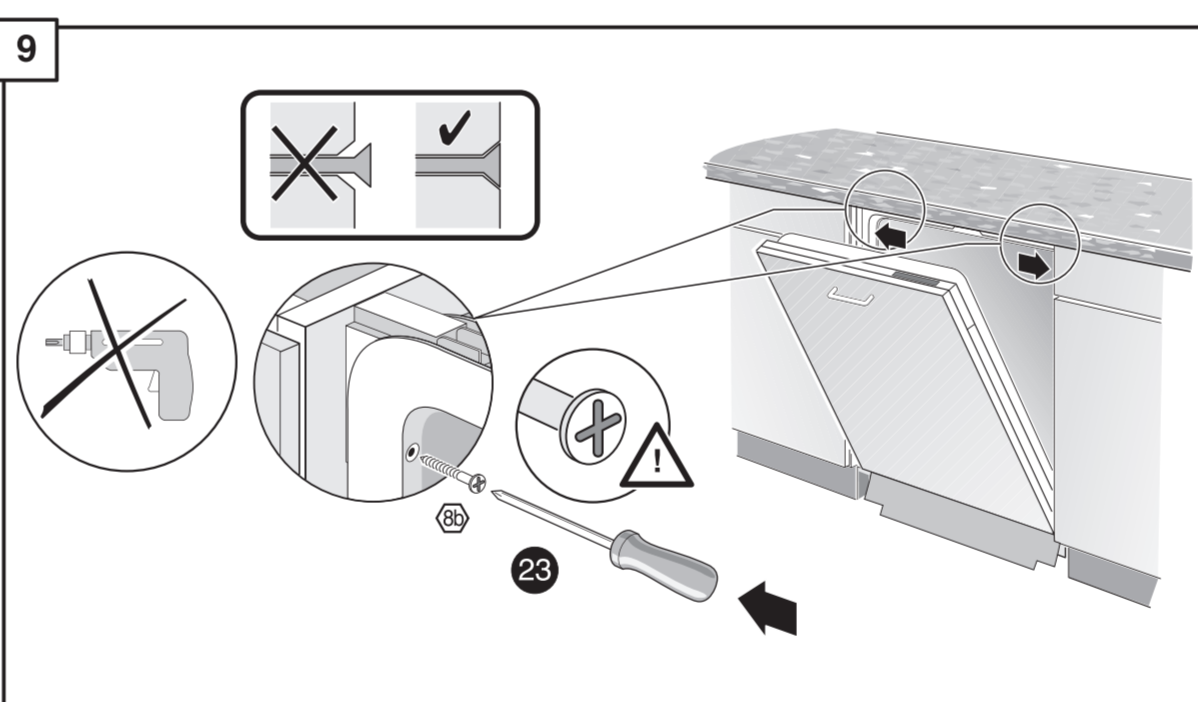
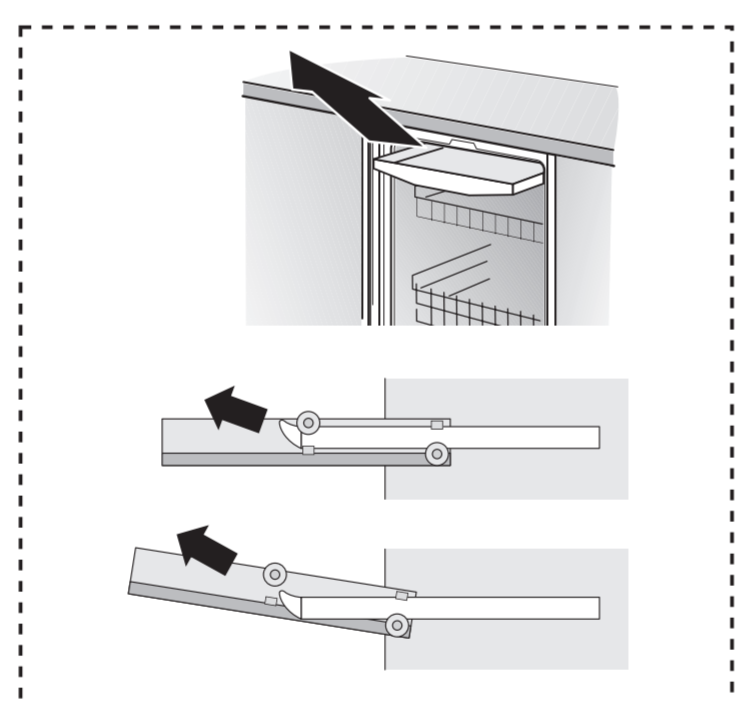
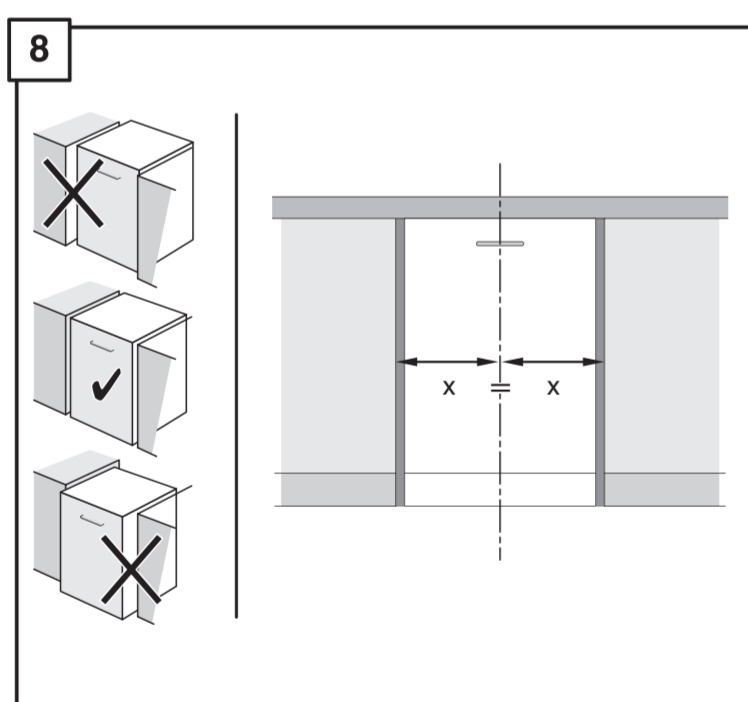
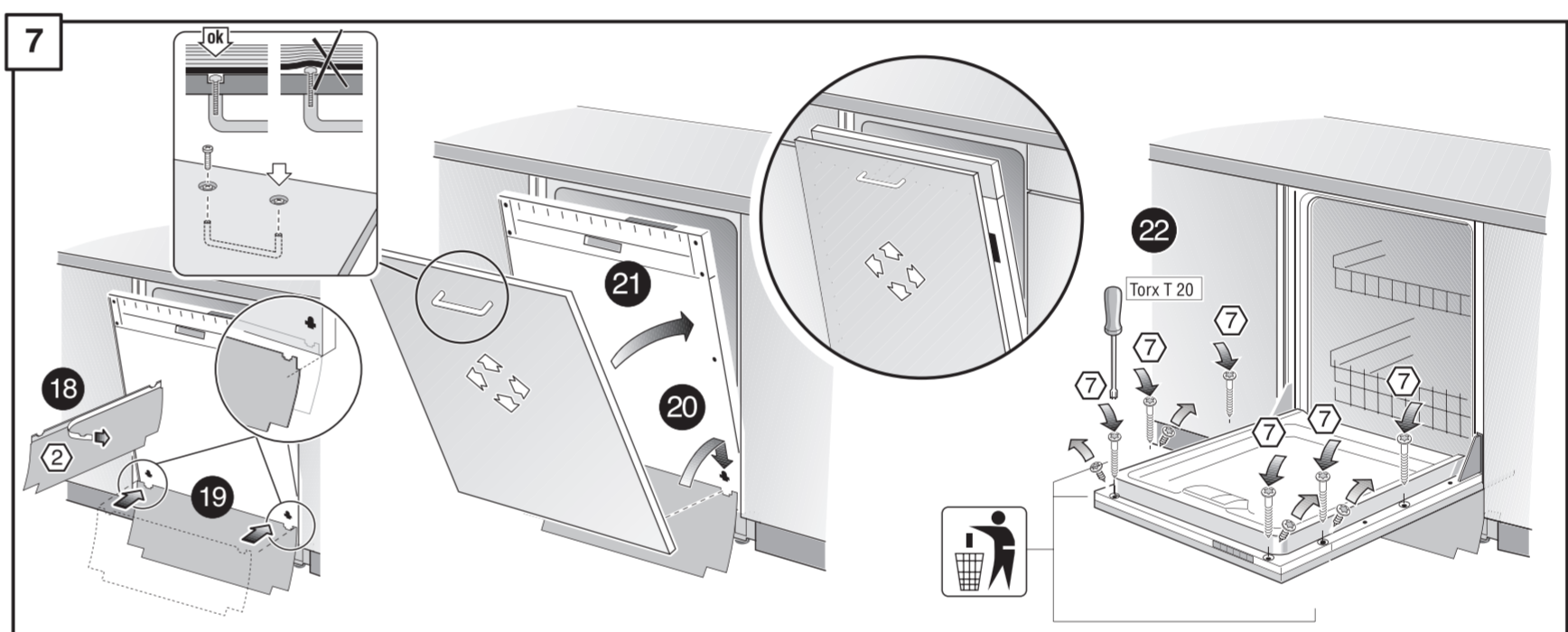
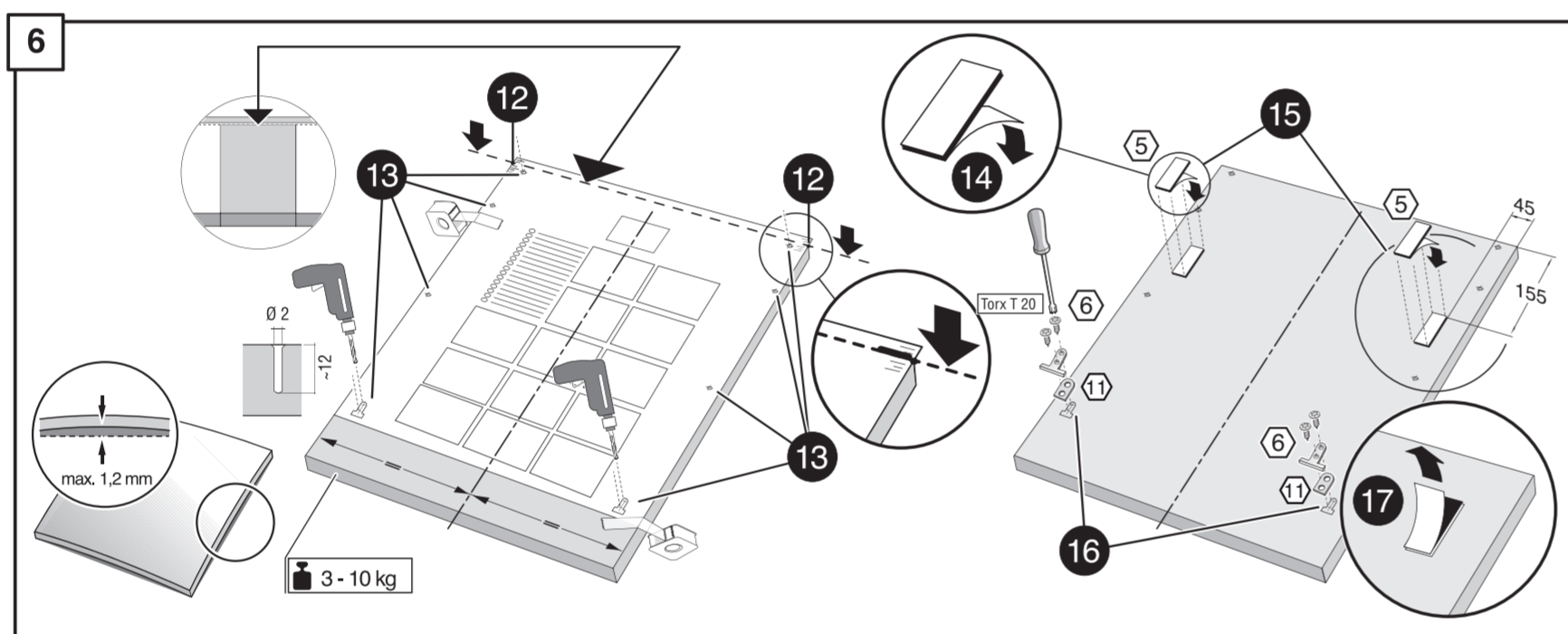
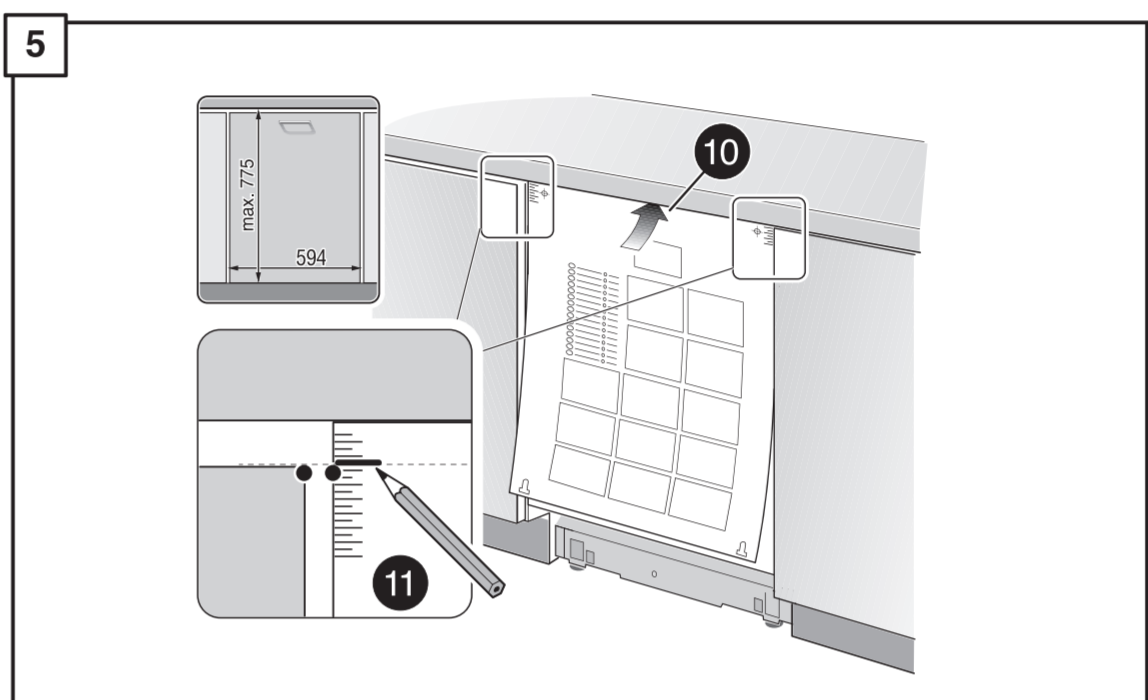
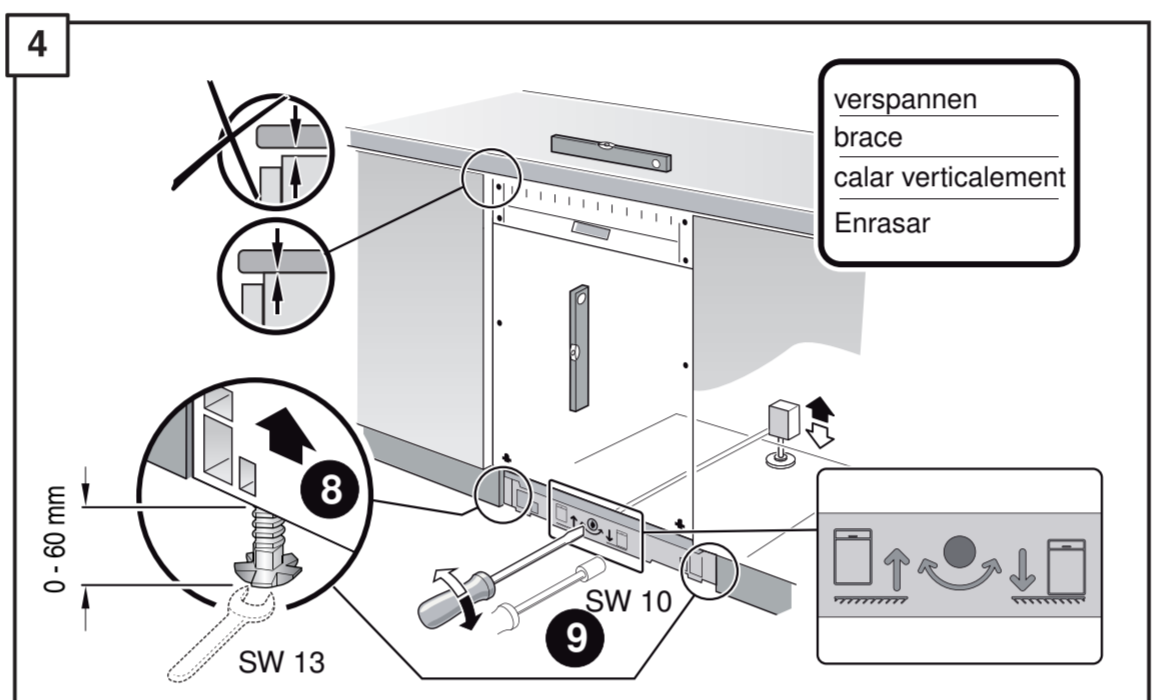
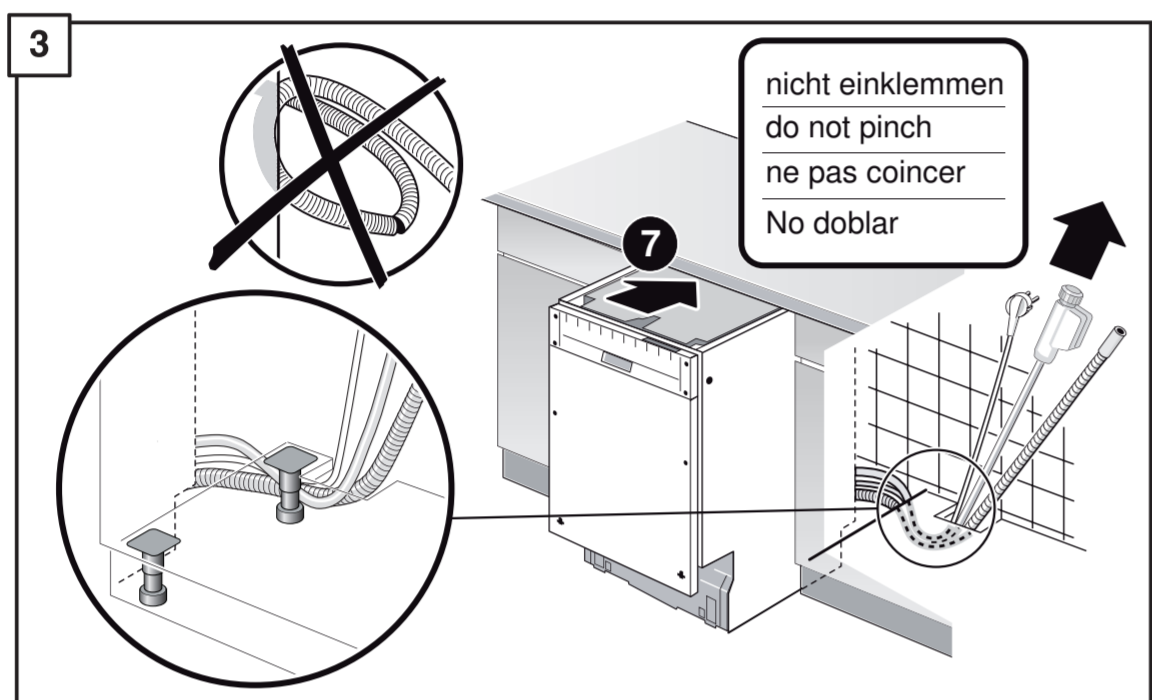
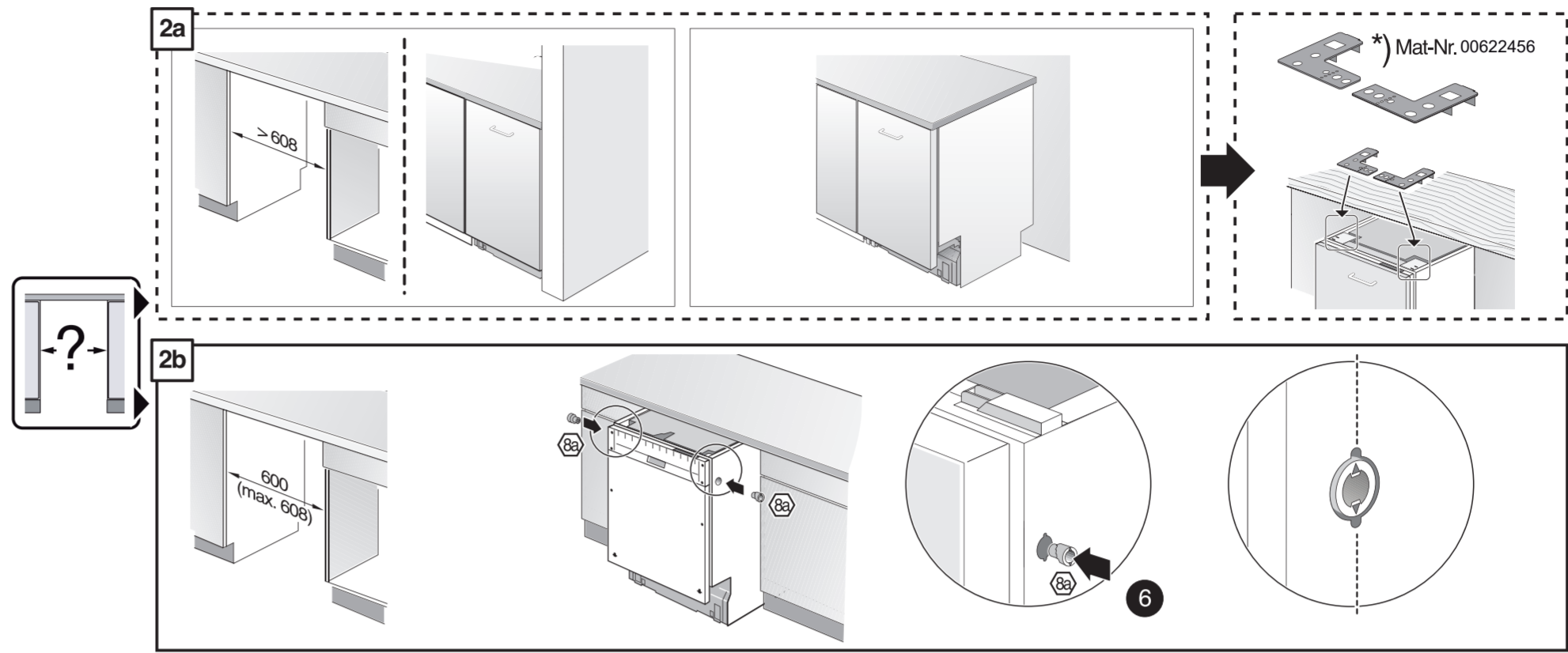
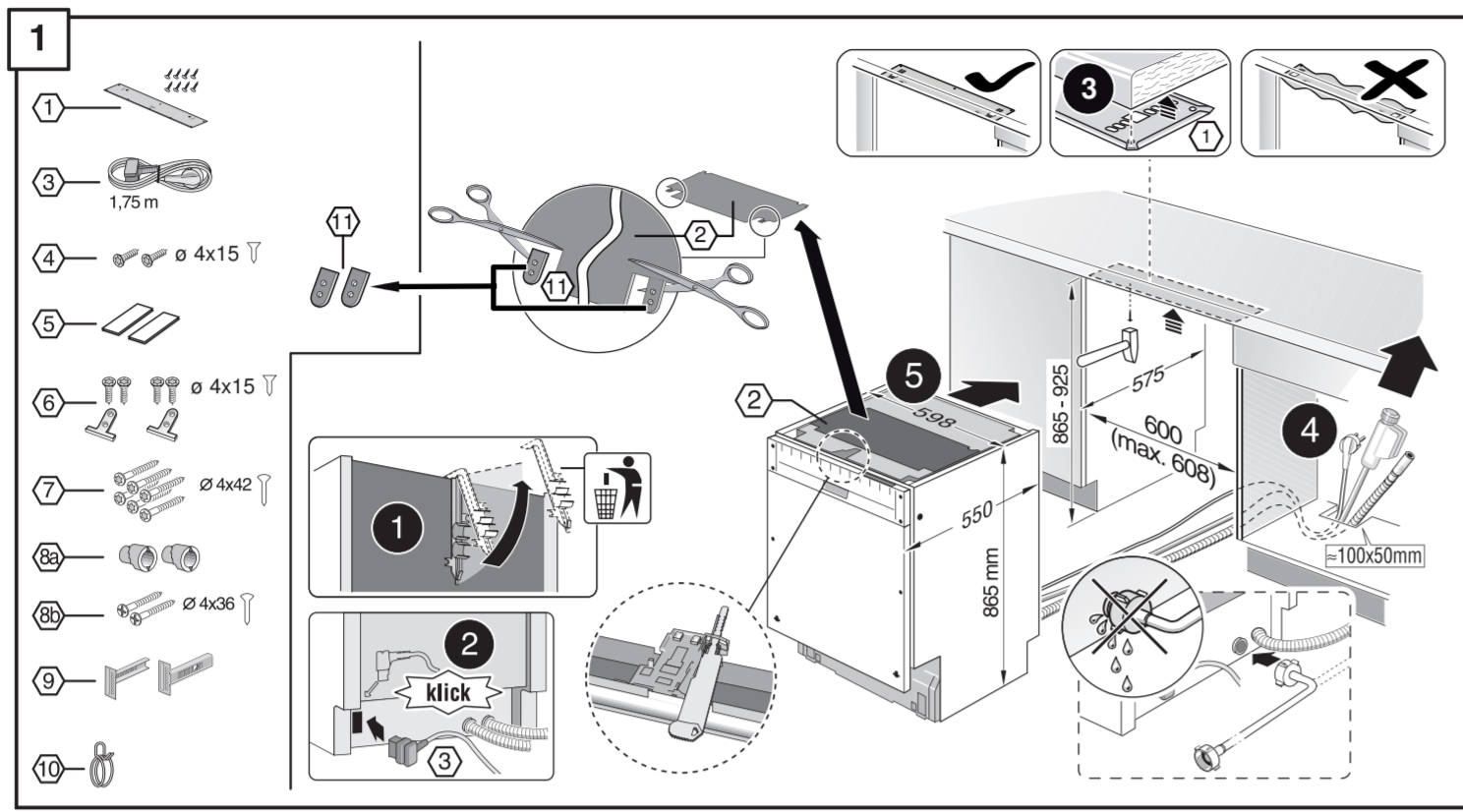
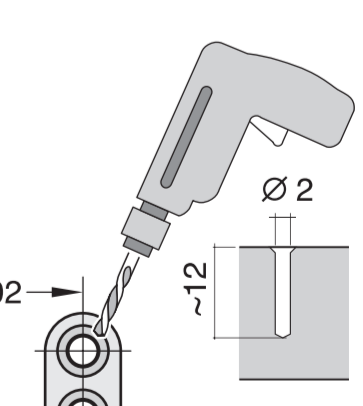
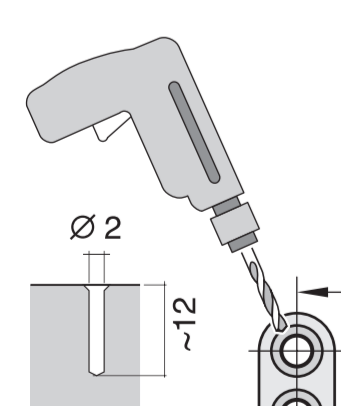
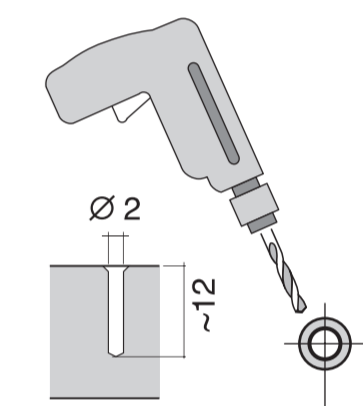
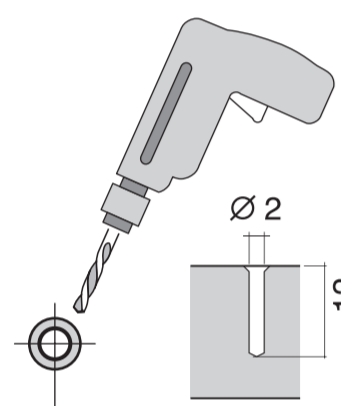
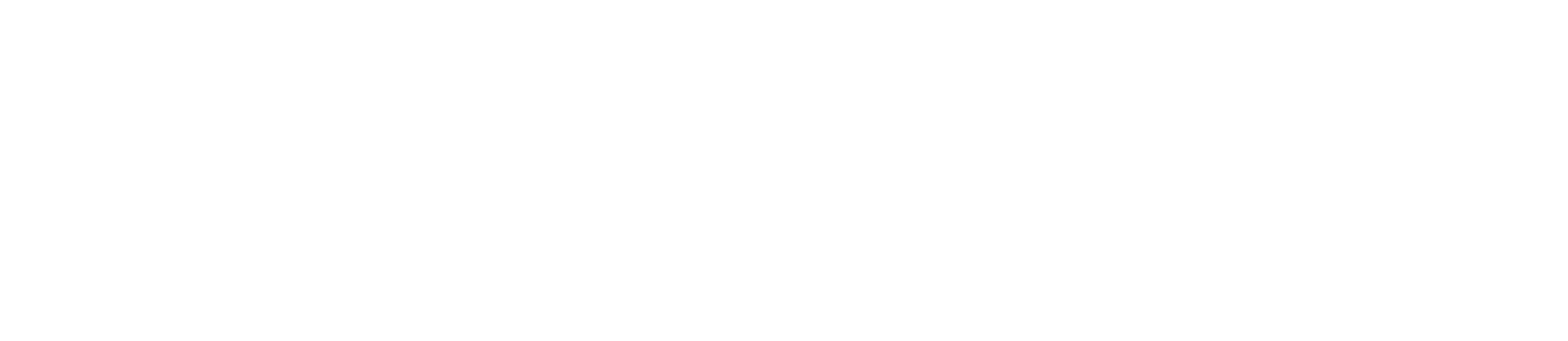
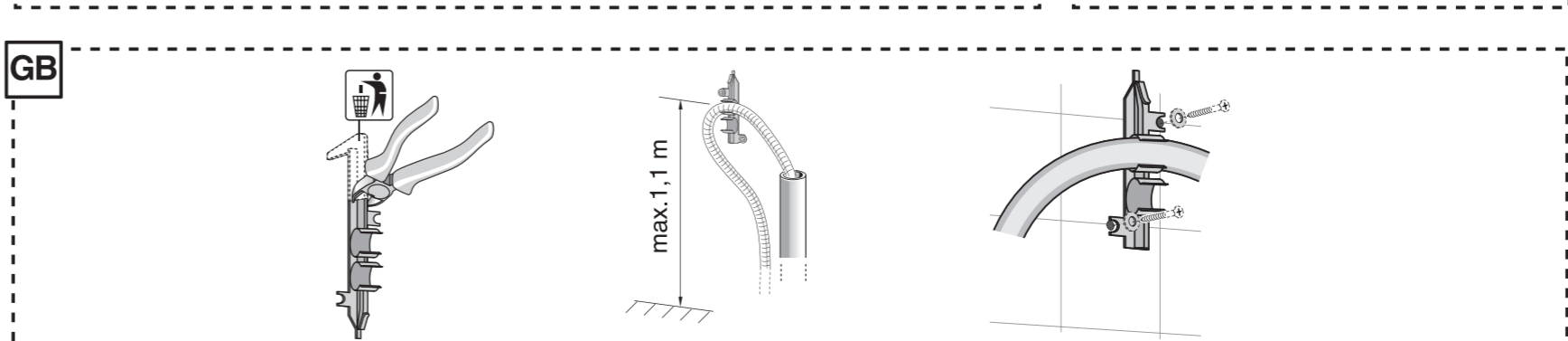
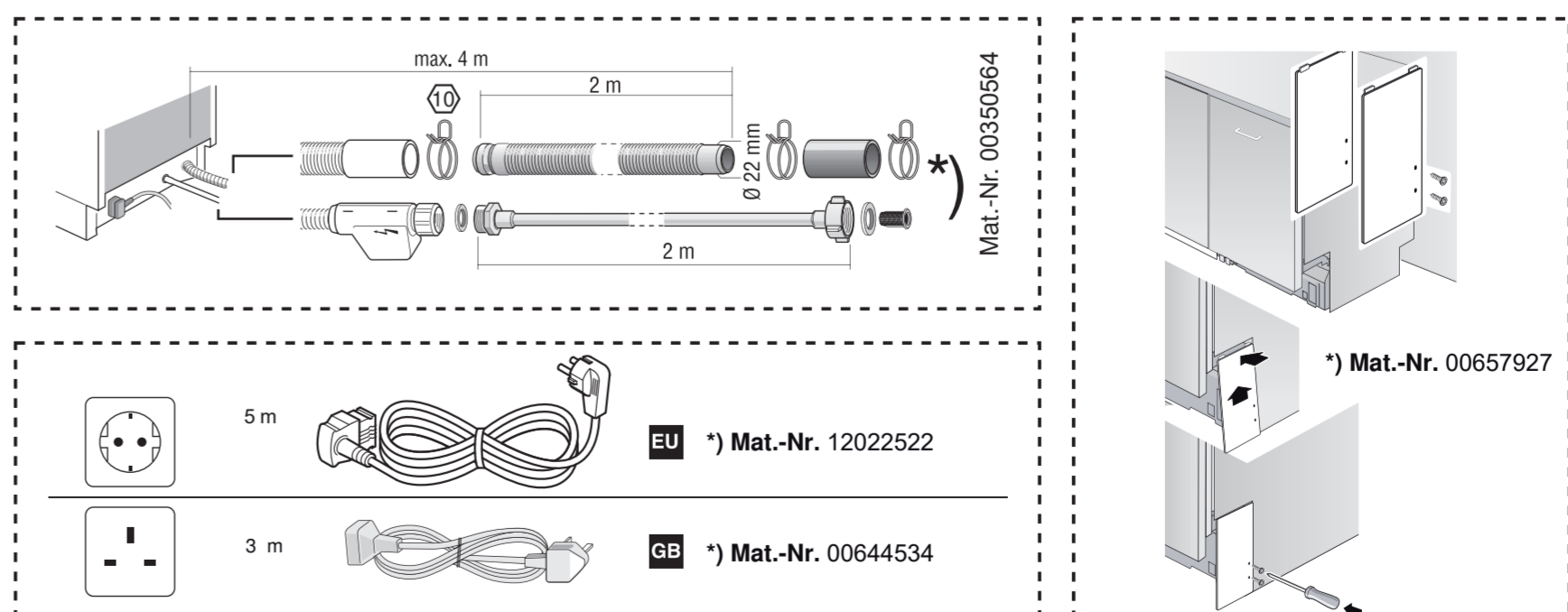
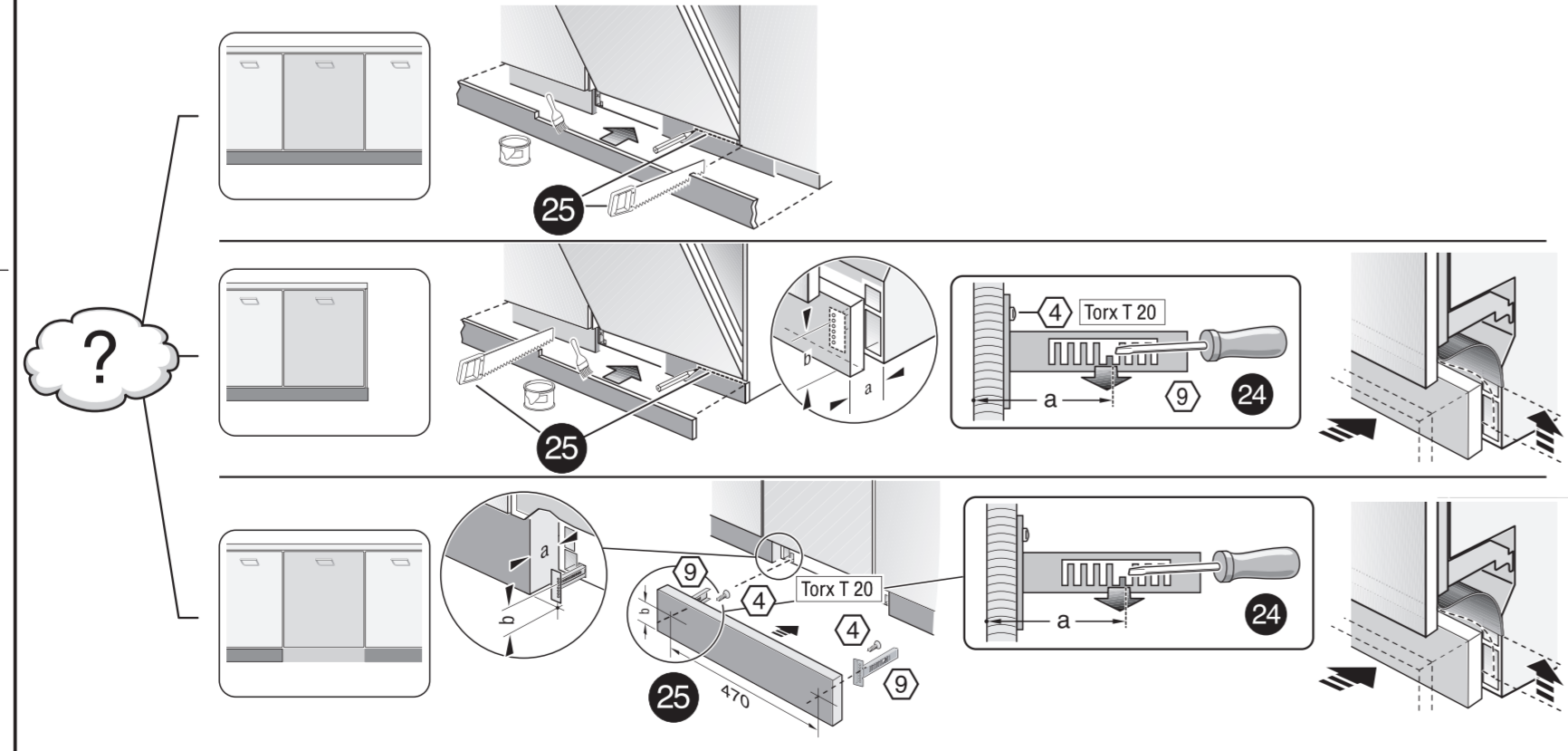
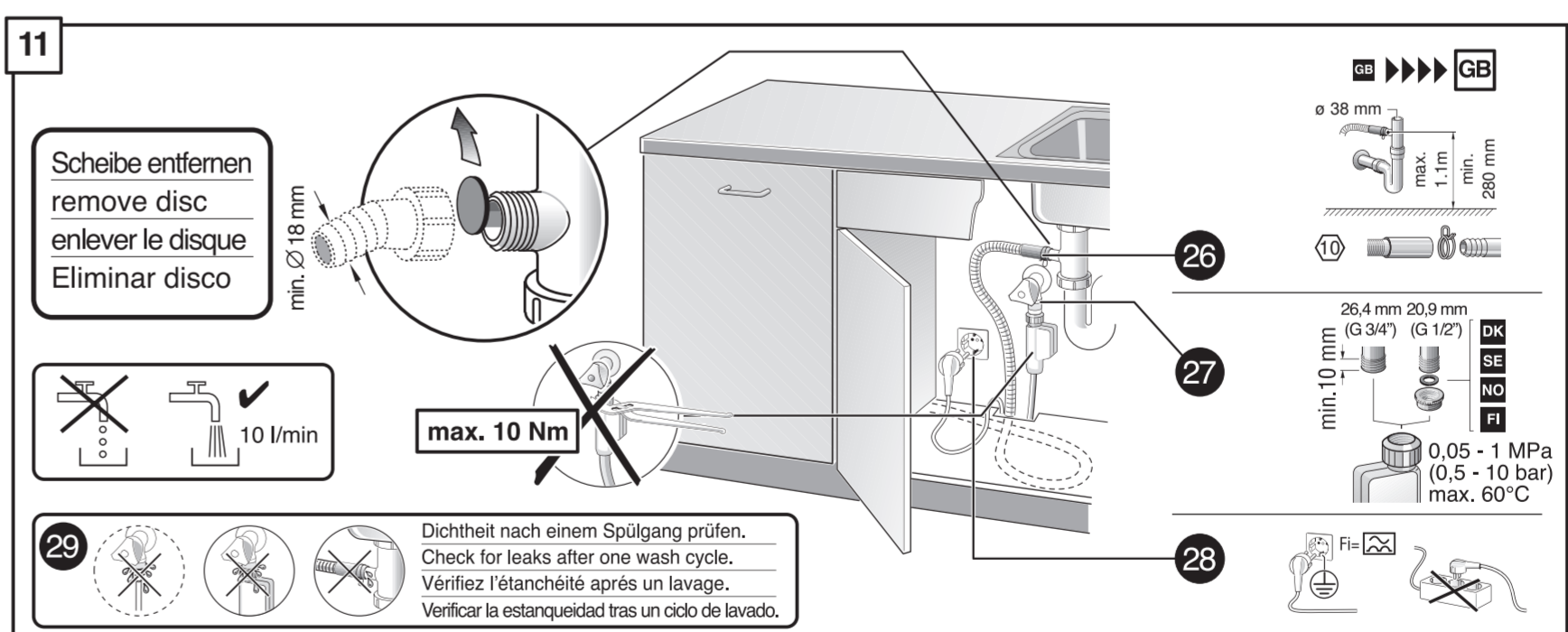
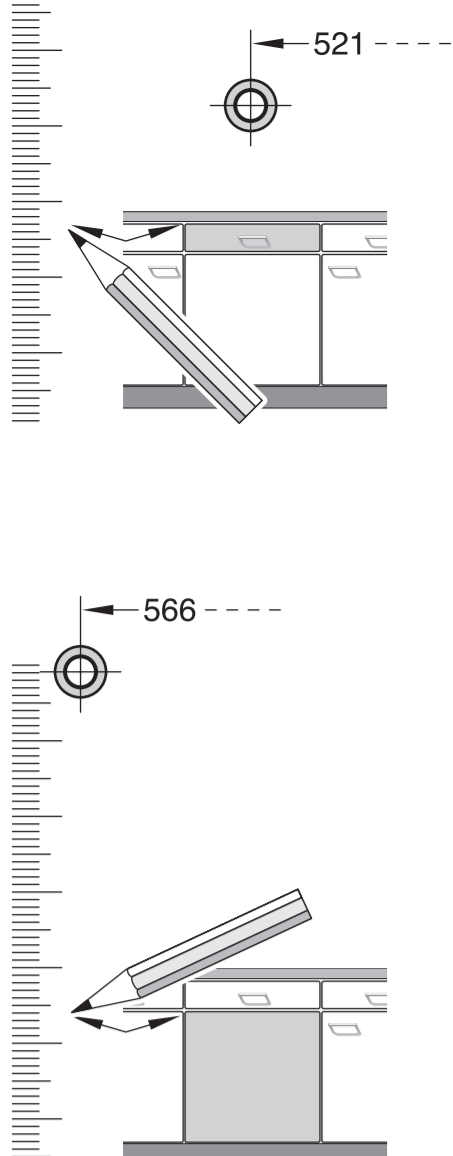


GV 640 Voll-I - 86,5 cm - m. GS 9001594261 (0010)

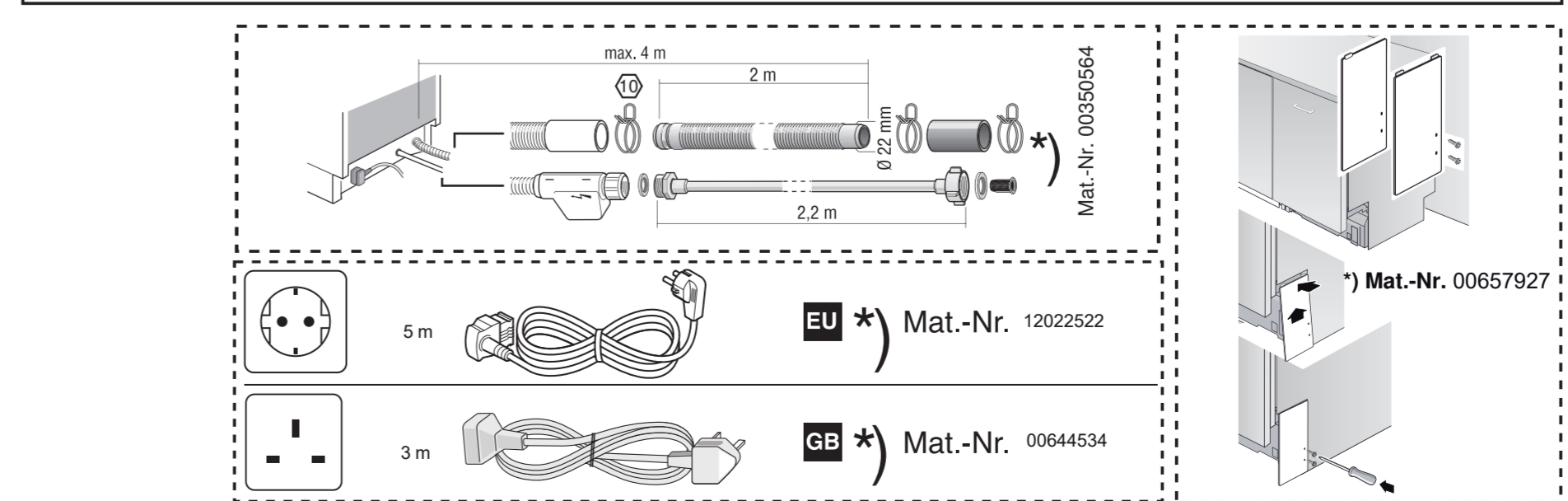
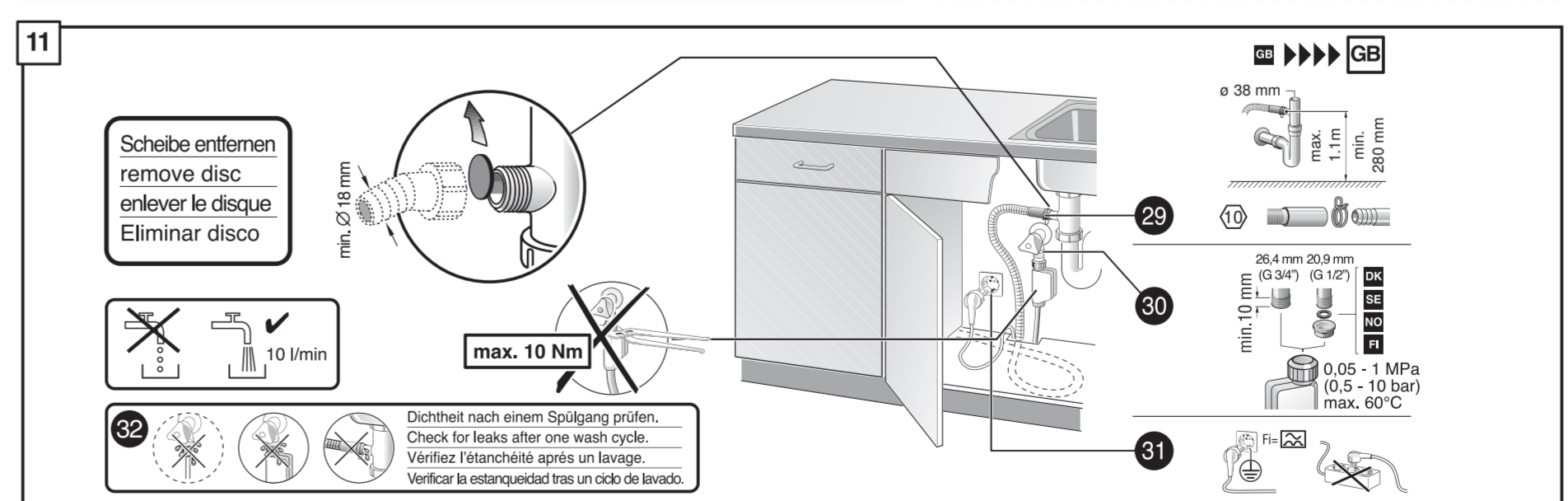
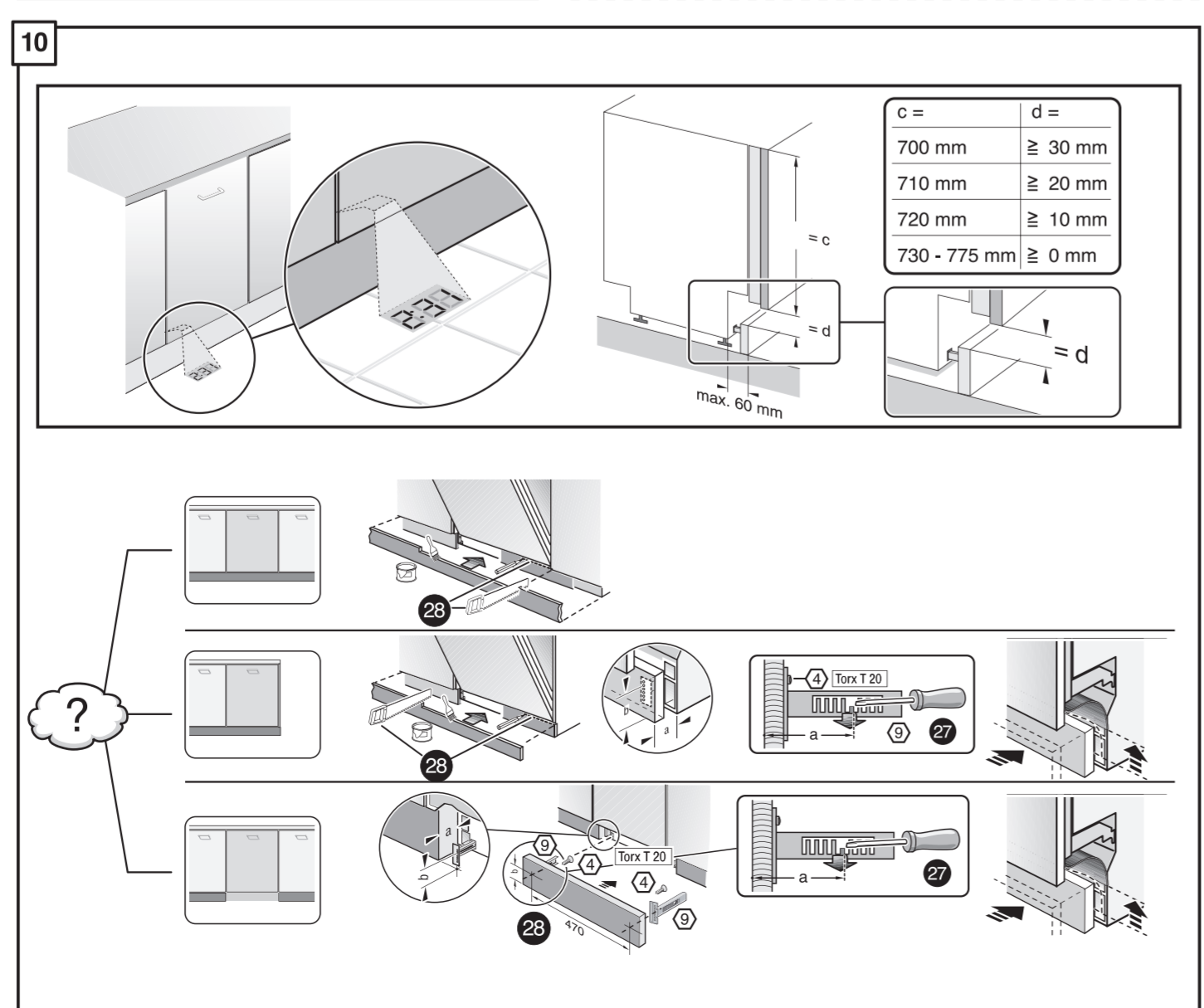
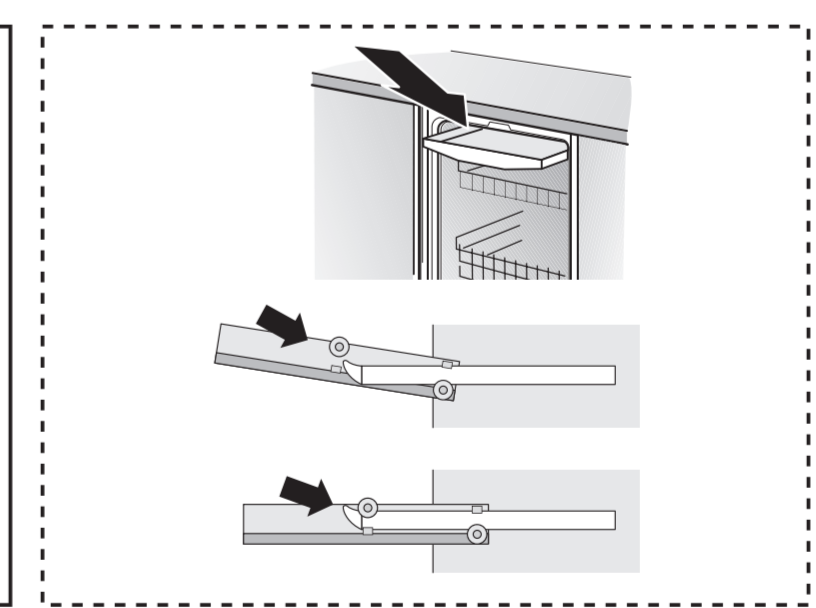
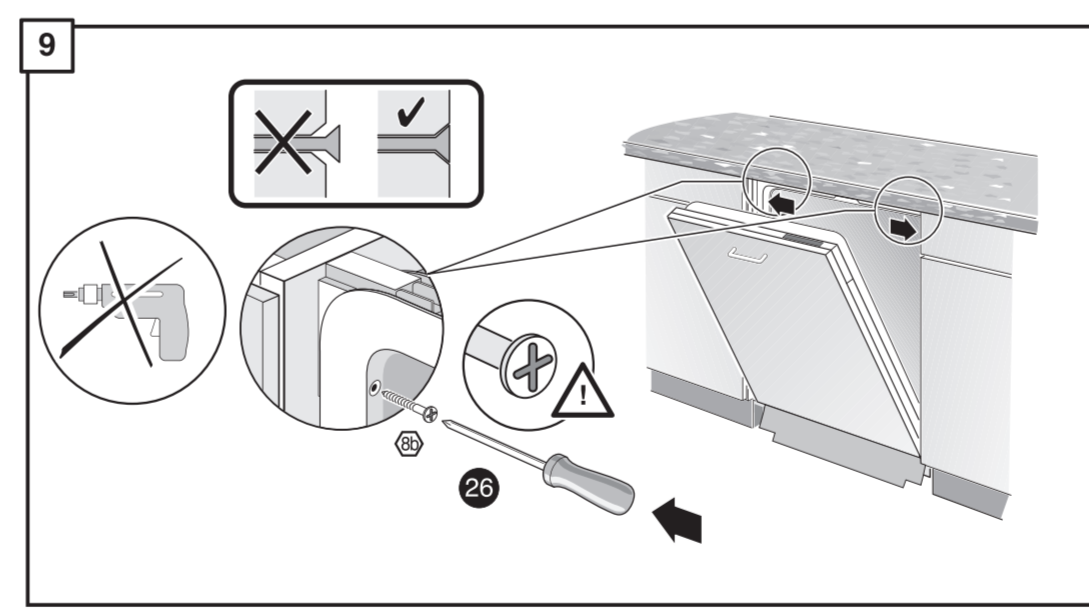
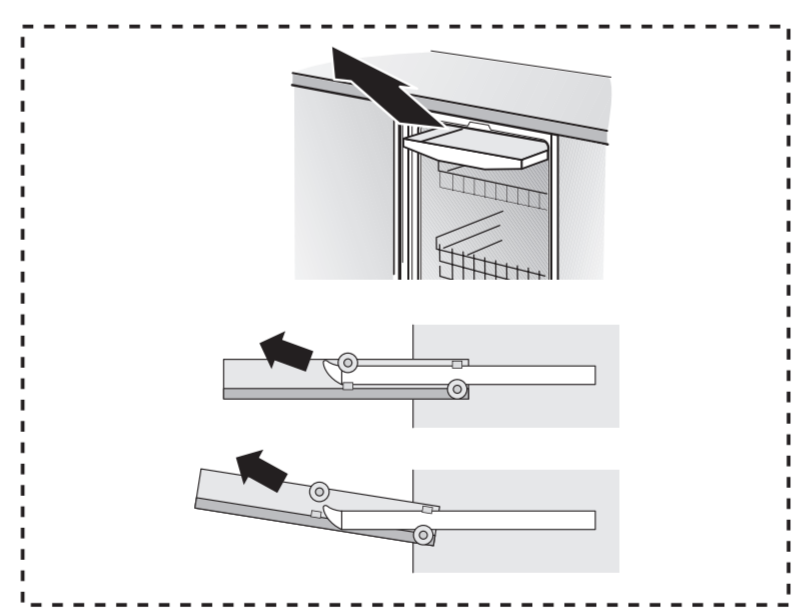
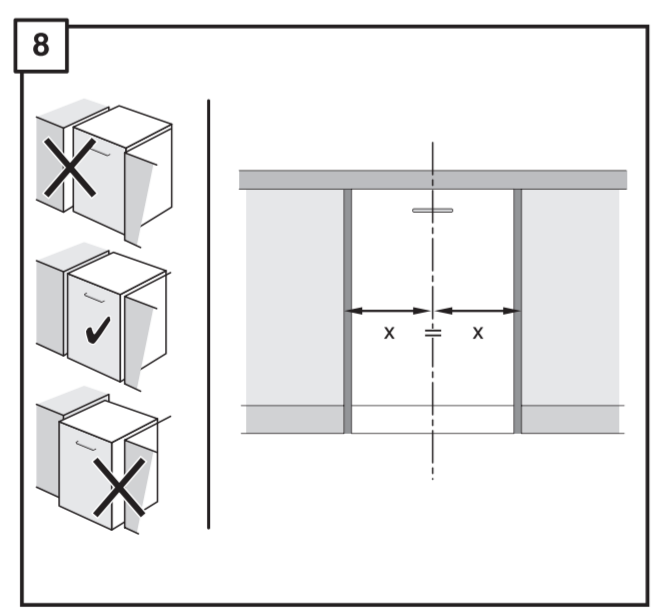
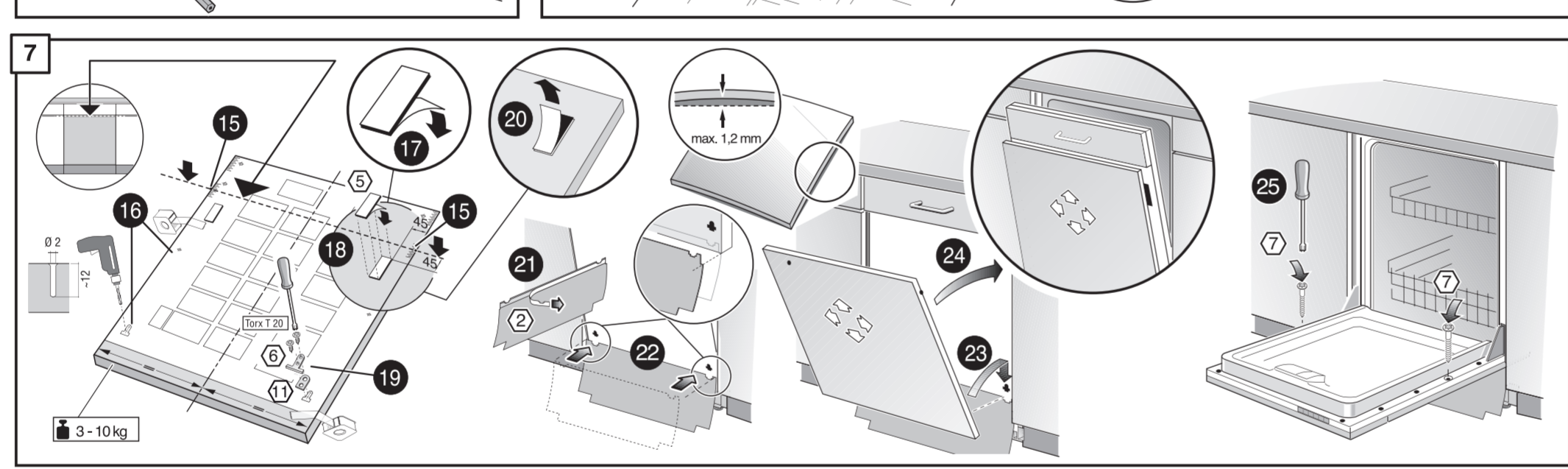
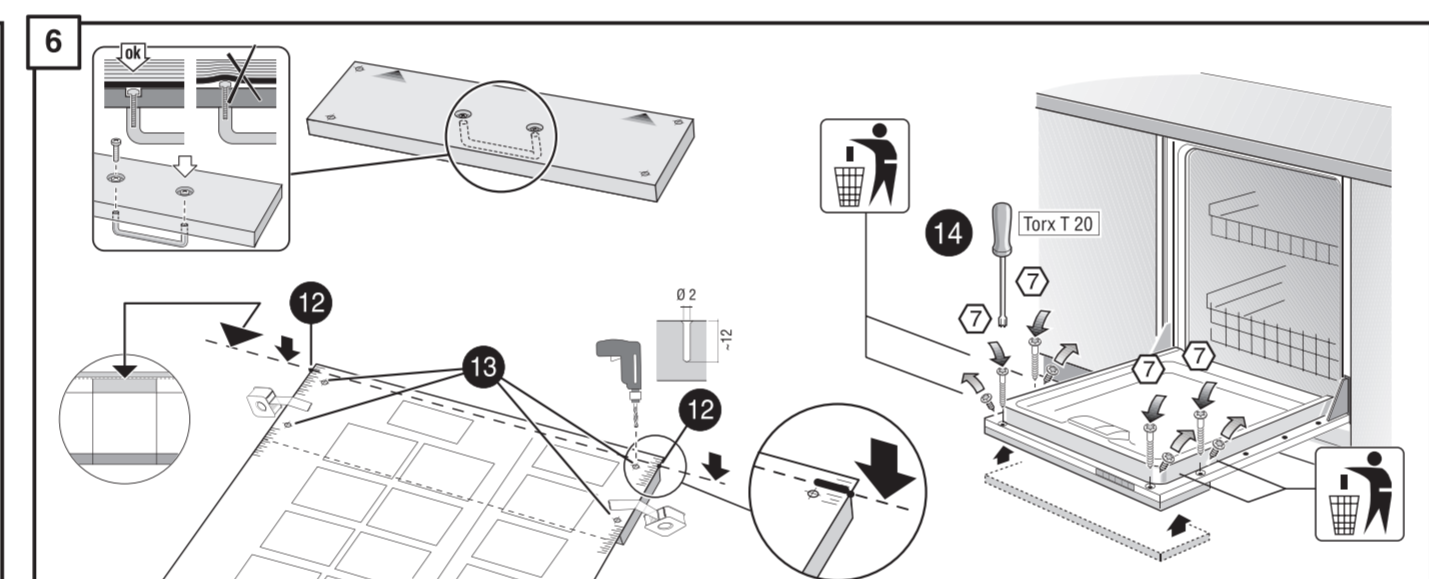
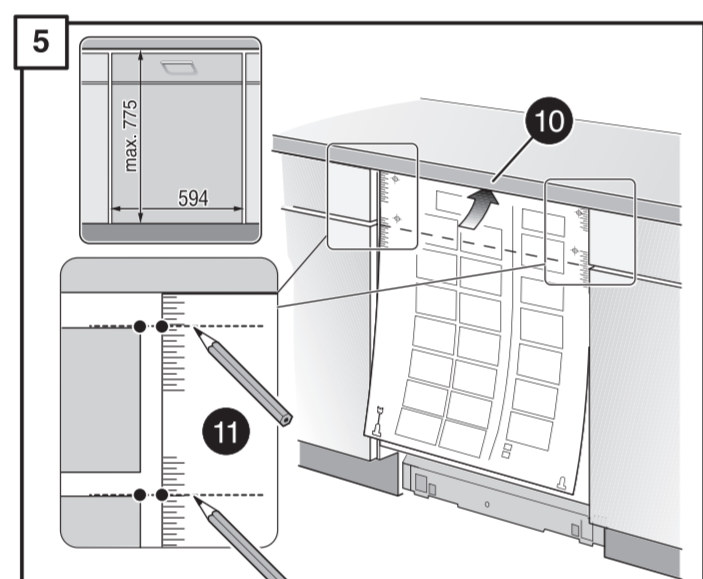
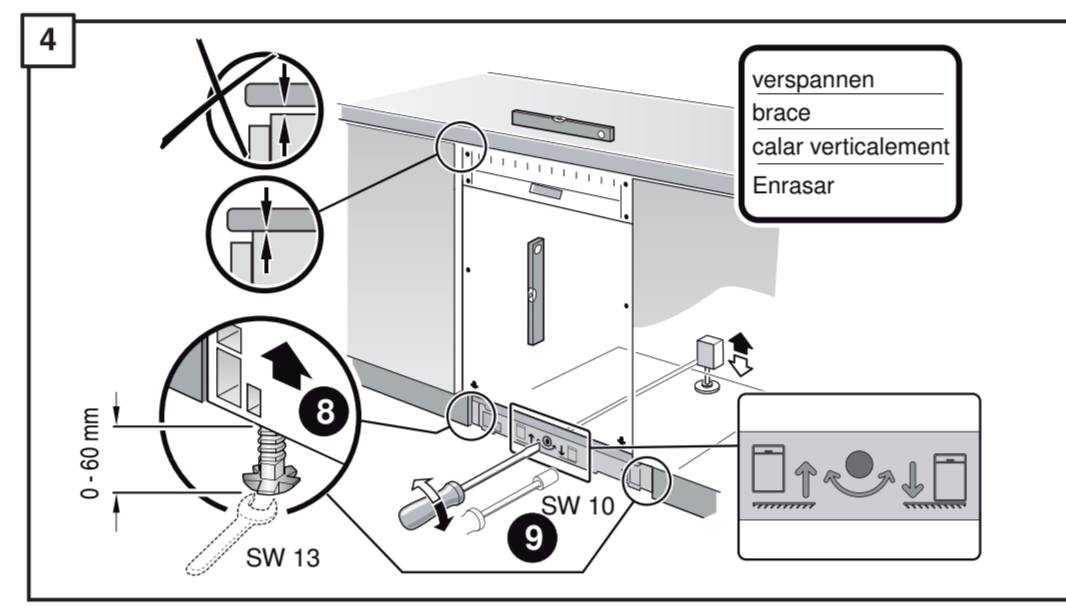
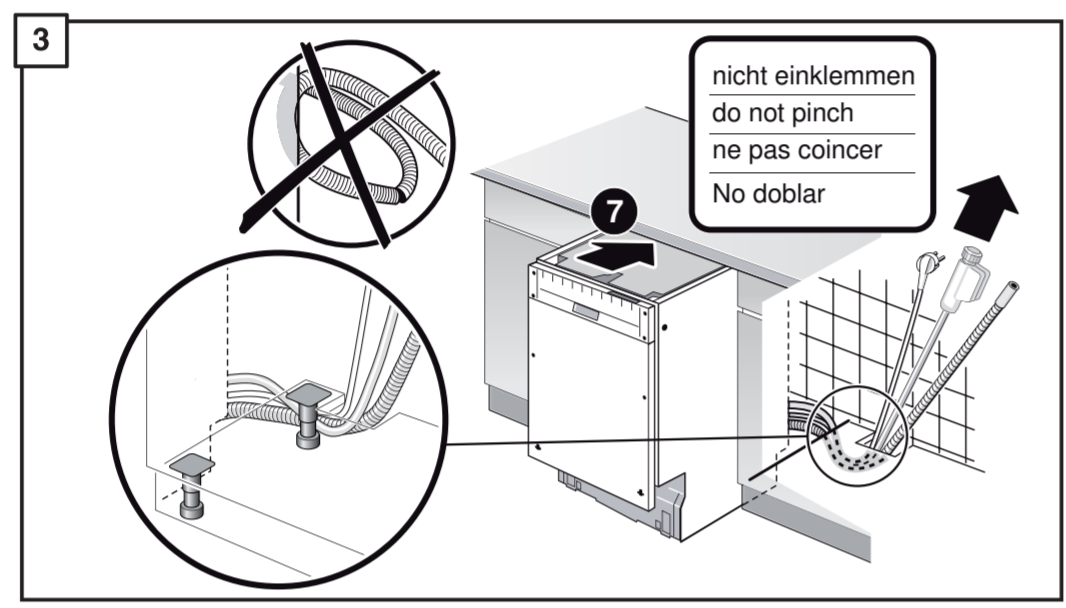
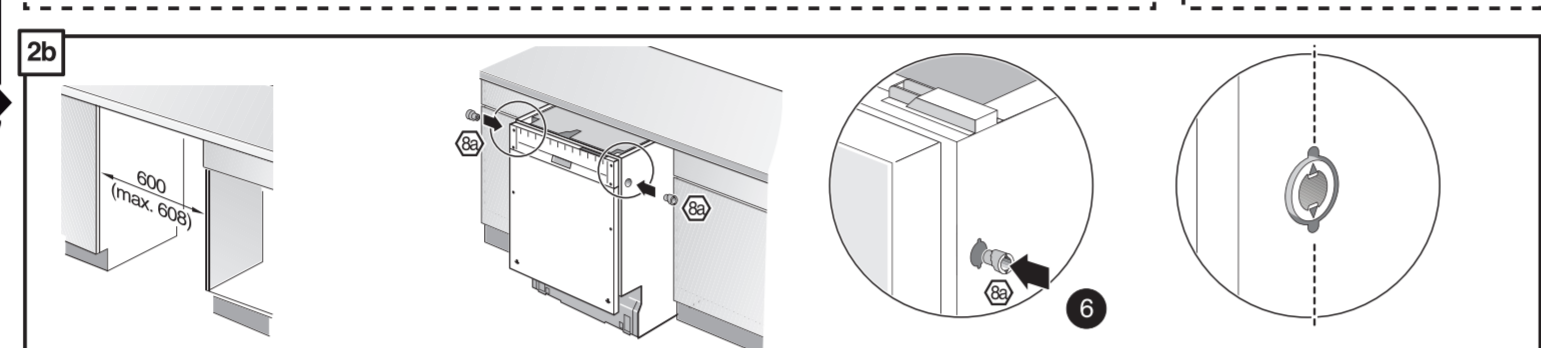
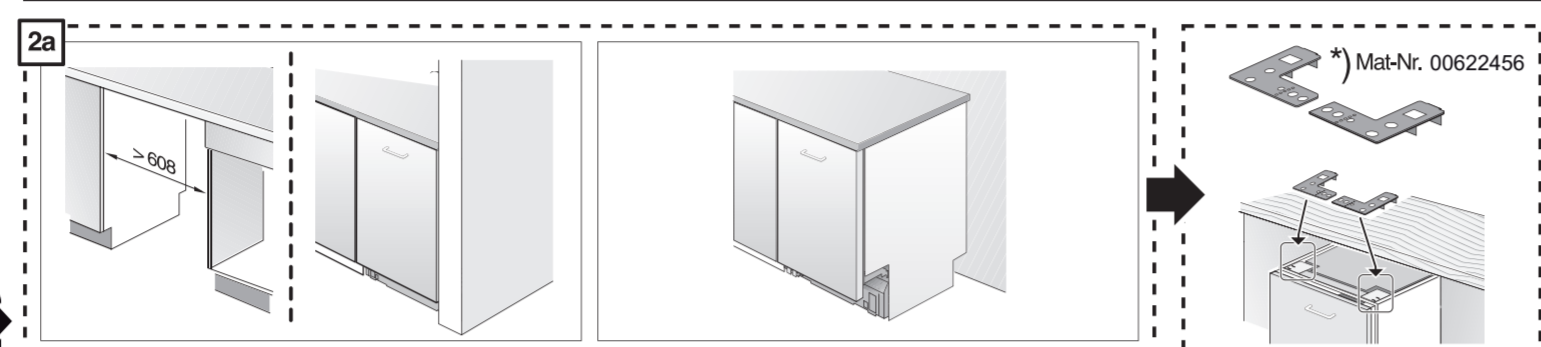
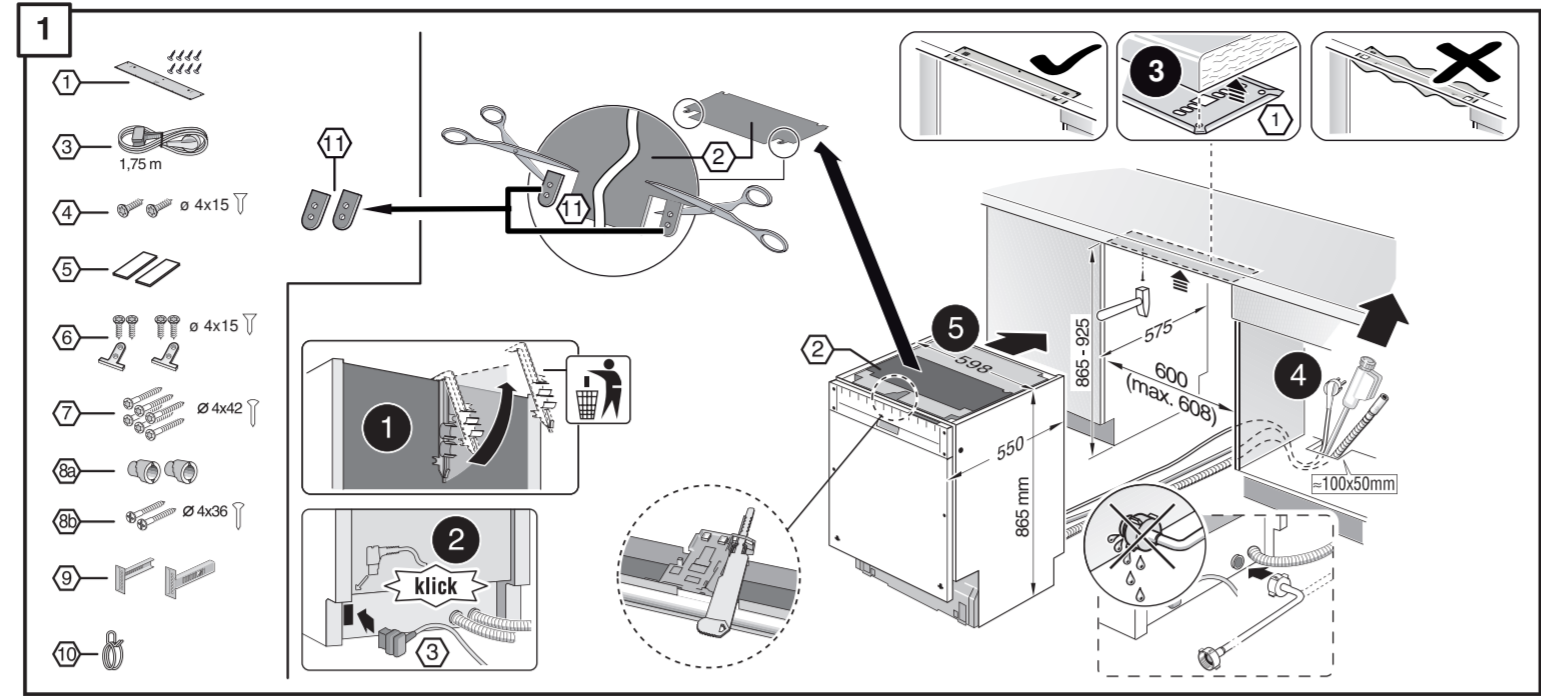


c =	d =
700 mm	1/2" 30 mm
710 mm	1/2" 20 mm
720 mm	1/2" 10 mm
730 - 775 mm	1/2" 0 mm





1



1

4

5A

6A

7A

8

11

5A

6A

7A

8

11

5A

6A

7A

8

11

5A

6A

7A

8

11

5A

6A

7A

8

11

5A

6A

7A

8

11

5A

6A

7A

8

11

5A

6A

7A

8

11

5A

6A

7A

8

11

5A

6A

7A

8

11

5A

6A

7A

8

11

5A

6A

7A

8

11

